





# ATLAS

SINCE 1919

**STABLE.  
STRONG.  
STEADY.**

-  16.0 - 19.5 t
-  95 kW (130 HP)
-  0.67 - 1.12 m<sup>3</sup>



## **WHEELED EXCAVATOR 160Wsr**

[WWW.ATLASGMBH.COM](http://WWW.ATLASGMBH.COM)

# TECHNICAL SPECIFICATION 160Wsr

## Technical specifications

### ENGINE

Power rating acc. to ISO 9249.....	95kW (130 HP)	Number of cylinders .....	4	Generator .....	24 V / 100 A
RPM .....	1800/min	Bore / cylinder stroke .....	101 / 126	Starter .....	24 V / 4 kW
Make / model .....	Deutz TCD 4.1 (Tier 4F)	Cooling system .....	Water-cooled		
Design.....	Turbocharger	Air filter.....	Dry air filter		
Displacement.....	4040 cm <sup>3</sup>	Battery .....	2 x 12 V / 100 Ah		

### HYDRAULIC SYSTEM

• AWE 4 System	• Suction valves for all work functions	• Hydraulic system.....	1 x Axial piston pump
• Load limit controlled high-performance pump	• Load-retaining and fine lowering valves in lifting circuit	• Main pump .....	HPR 135
• Fuel-efficient flow-on-demand control	• Restrictors in the lift and articulating circuits	• Max. oil flow .....	245 l/min
• Sensitive, proportional, independent control	• Primary and secondary overload protection	• Max. operating pressure .....	340 bar

### SWING ASSEMBLY

• Swing motor:	Axial piston motor with priority valve	• Max. swing speed ..	9/min
• Swing gear:	Planetary transmission	• Swing torque .....	37.5 kNm
• Swing brake:	Automatic multi-disc parking brake		

### TRACTION DRIVE AND BRAKES

• Variable displacement motor	• Travel controls via foot pedal valve:	• All-wheel drive	
• Planetary drives in all four wheel hubs	• Max. speed.....	20 km/h	
• Double-acting brake valve	• Off-road speed .....	5 km/h	
• Travel direction pre-selection via switch on the joystick	• Crawling speed.....	3 km/h	
		• Option: high speed engine.....	36 km/h
		• Dual-circuit brake system .....	Multi-disc
		• Parking brake .....	Multi-disc

### UNDERCARRIAGE

• Steering axle with automatic oscillating axle locking	• 8 tires (twins) .....	10.00 - 20	• Turning radius.....	6.8 m
	• 4 tires (optional) .....	600 / 40-22.5		

### FILL CAPACITIES

• Fuel tank .....	190 litres	• Engine oil.....	13 litres	• Hydraulic tank .....	200 litres
				• Ad Blue® .....	10 litres

### DRIVER'S CAB

• Elastically mounted	<b>DRIVER'S SEAT:</b>	• Type .....	Atlas Comfort Cab 935
• Panorama glazing with heat-absorbing glass	• Air-cushioned comfort seat (optional seat heating)	• Overall length .....	1760 mm
• The interior is glare-free	• Arm rests and lumbar support	• Width .....	935 mm
• Front window slidable under cab roof	• Seat adjustable separately from console		
	<b>CONTROL:</b>	<b>SOUND LEVELS:</b>	
	• Ergonomic joysticks	• ISO 6396 (L <sub>pA</sub> ) in driver's cab .....	70 dB(A)
	• Slim steering column, height and tilt adjustable	• 2000/14 EG (L <sub>wA</sub> ) ambience level .....	98 dB(A)

# WORKING EQUIPMENT 160Wsr

## Working equipment

### EQUIPMENT

<b>BASIC UNIT ATLAS 160Wsr</b> (can be combined)		
<ul style="list-style-type: none"> <li>Wheel Excavator 160WSR with complete mounted support plate and dozer blade, standard pivoting radius 1575 mm (4.5 t)</li> </ul>	<b>STANDARD EQUIPMENT:</b>	<ul style="list-style-type: none"> <li>Traveling per foot pedal</li> </ul>
	<b>Hydraulic system:</b>	<ul style="list-style-type: none"> <li>Comfort seat with arm rests and orthopedic lumbar support</li> </ul>
<b>BOOMS:</b>	<ul style="list-style-type: none"> <li>Grab / grab rotating function</li> </ul>	
<ul style="list-style-type: none"> <li>Base arm with 2 lifting cylinders and center-mounted articulating cylinder (C53.41)</li> </ul>	<ul style="list-style-type: none"> <li>Accumulator for emergency lowering of boom system</li> </ul>	<b>EQUIPMENT:</b>
<ul style="list-style-type: none"> <li>Intermediate boom with stick cylinder, for base arm C51.41, working length 3.095 mm (C53.46)</li> </ul>	<ul style="list-style-type: none"> <li>Pipe-break protection valves for articulated and lifting cylinders</li> </ul>	<ul style="list-style-type: none"> <li>Sealed pivot points in the case section of the boom</li> </ul>
	<b>Cab:</b>	<ul style="list-style-type: none"> <li>Grab storage during road travel</li> </ul>
	<ul style="list-style-type: none"> <li>Automatic air conditioning system</li> </ul>	<ul style="list-style-type: none"> <li>Central lubrication</li> </ul>
	<ul style="list-style-type: none"> <li>Preparation for radio installation</li> </ul>	
<b>STICKS:</b>	<ul style="list-style-type: none"> <li>Slim steering column, height and tilt adjustable</li> </ul>	<b>UNDERCARRIAGE:</b>
<ul style="list-style-type: none"> <li>Stick, working length 2.150 mm (D53.2)</li> </ul>	<ul style="list-style-type: none"> <li>Fuel gauge</li> </ul>	<ul style="list-style-type: none"> <li>Wheels with intermediate rings</li> </ul>
<ul style="list-style-type: none"> <li>Stick, working length 2.650 mm (D53.3)</li> </ul>	<ul style="list-style-type: none"> <li>Battery main switch in negative lead</li> </ul>	<ul style="list-style-type: none"> <li>Infinitely adjustable support/dozer blade, with parallel guidance</li> </ul>
	<ul style="list-style-type: none"> <li>Windshield washer system</li> </ul>	<ul style="list-style-type: none"> <li>Toolbox in undercarriage (1 x)</li> </ul>
<b>BUCKET TIPPING CYLINDER:</b>	<ul style="list-style-type: none"> <li>Sliding window in cab door</li> </ul>	
<ul style="list-style-type: none"> <li>Bucket tipping cylinder with bucket linkage (F53.1)</li> </ul>	<ul style="list-style-type: none"> <li>Storage box</li> </ul>	

### SPECIAL EQUIPMENT

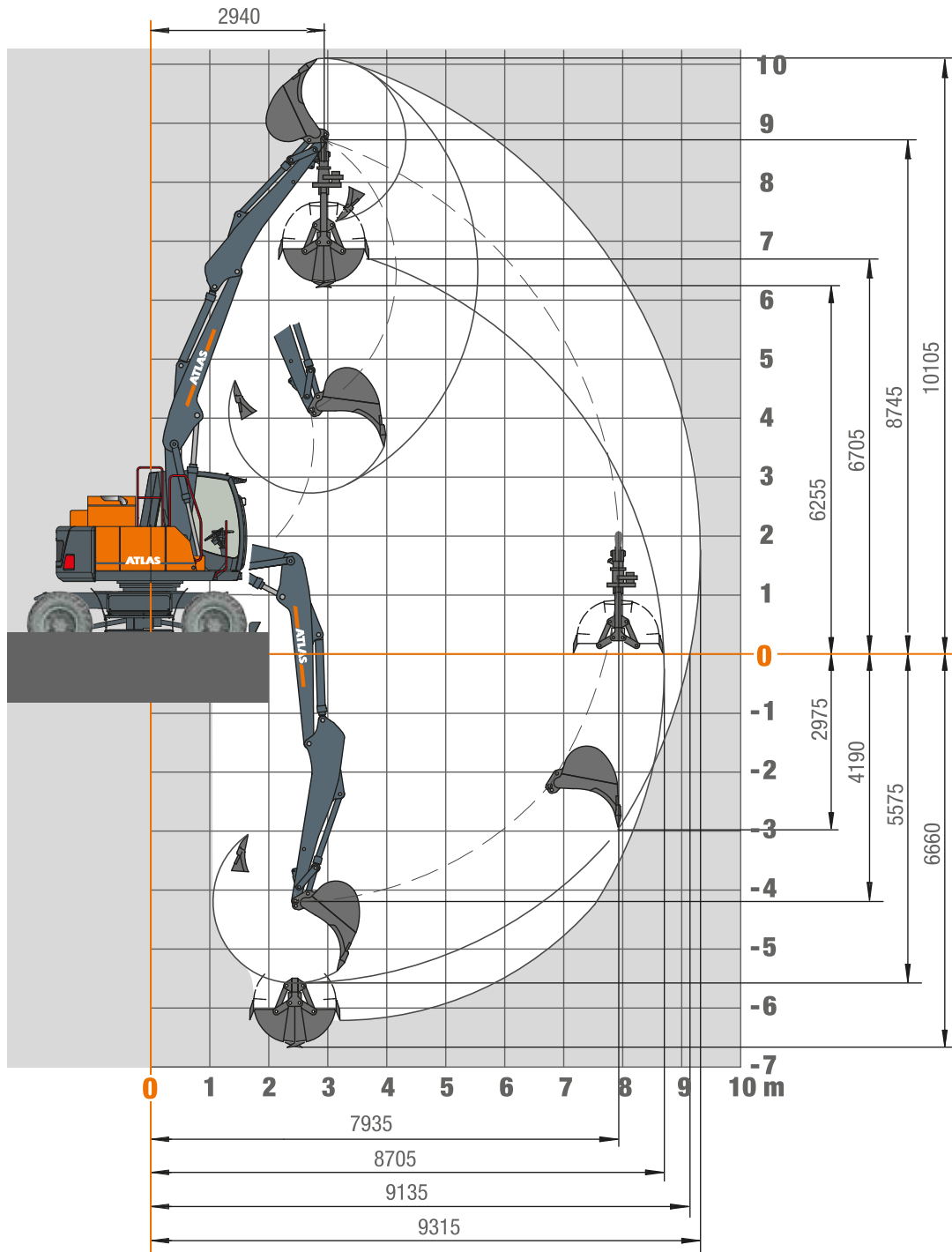
<b>Booms:</b>	<b>Superstructure:</b>
<ul style="list-style-type: none"> <li>Additional hydraulic unit for variable boom cylinder (B41.39)</li> </ul>	<ul style="list-style-type: none"> <li>Heavy counterweight, tailswing 1700 mm (4.9 t)</li> <li>Heavy counterweight, tailswing 1700 mm (5.3 t) without TÜV</li> </ul>
<b>Cab:</b>	<b>Undercarriage:</b>
<ul style="list-style-type: none"> <li>Beacon light</li> <li>Heated driver's seat</li> <li>Radio with USB, Front AUX in, Bluetooth</li> <li>LED working lights</li> </ul>	<ul style="list-style-type: none"> <li>Wide axles (overall width 2750 mm)</li> <li>Wide dozer blade (overall width 2750 mm)</li> <li>Hydraulic installation set Comfort with 10 storage places for oilflow and oilpressure</li> </ul>

### ATTACHMENTS (SELECTION)

	Bucket F415	Bucket F416	Bucket F417	Bucket F648
Capacity SAE	0.67 m <sup>3</sup>	0.82 m <sup>3</sup>	0.92 m <sup>3</sup>	1.12 m <sup>3</sup>
Cutting width	850 mm	1000 mm	1100 mm	1300 mm
Max. reach support/dozer blade	6.0 m	6.5 m	7.0 m	5 m

# WORKING RANGES 160Wsr

**Working ranges** Adjustable boom: Base arm (C53.41) and boom 3.10 m (C53.46)



STICK LENGTHS	2,15 m (D53.2)		2,65 m (D53.3)	
	Bucket	Grabs	Bucket	Grabs
Max. bucket digging force	130 kN	-	130 kN	-
Max. stick digging force	82 kN	-	72 kN	-
Grab clamping force	-	73 kN	-	73 kN
Operating Weight	16,5 t	16,8 t	16,6 t	16,9 t

# LIFTING CAPACITIES 160Wsr

## Lifting capacities Adjustable boom: Base arm (C53.41) and boom 3.10 m (C53.46), 4.5 t GG

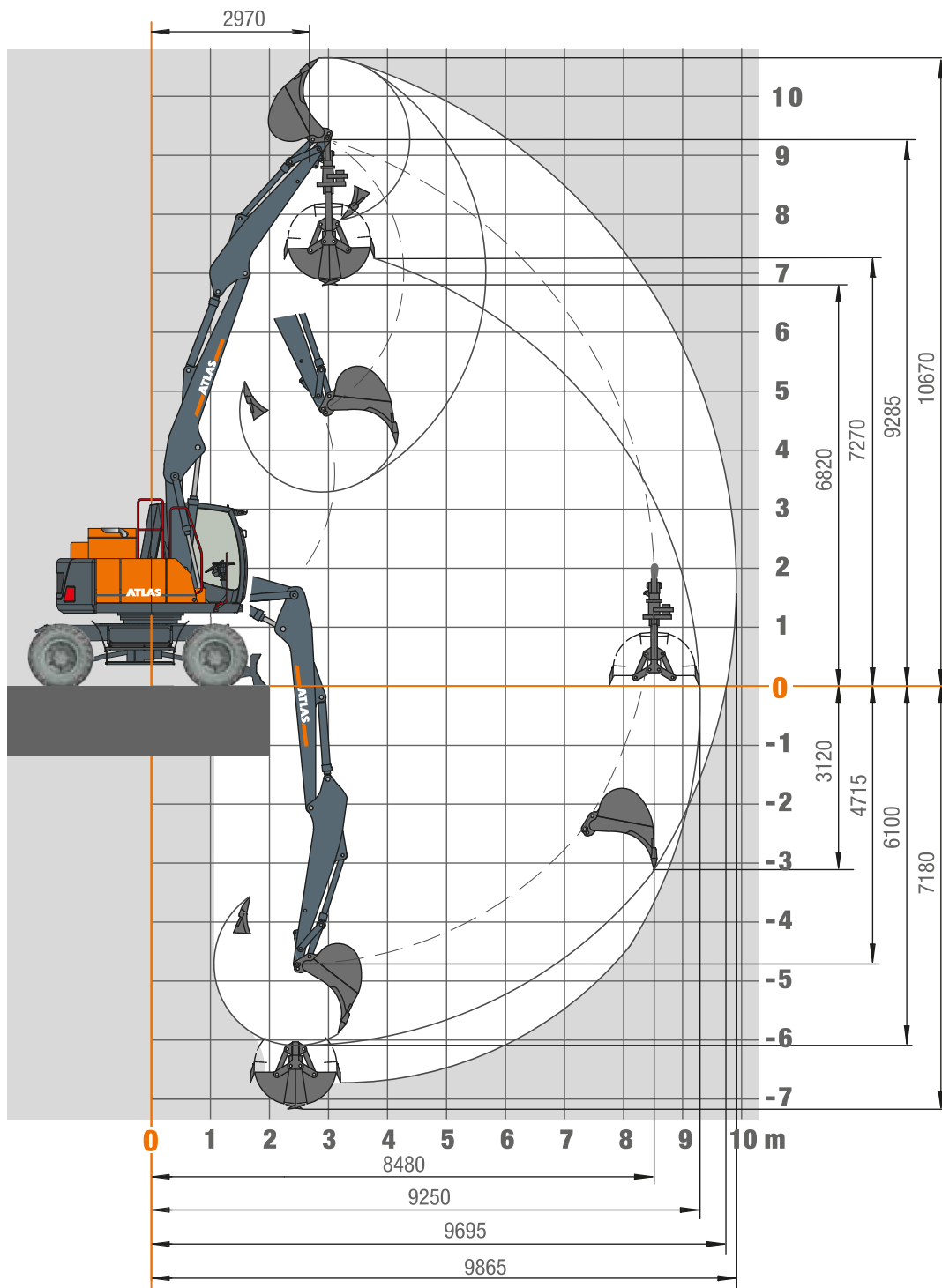
Lifting capacities Adjustable boom (C53.41) and boom 3.10 m (C53.46) with stick 2.15 m (D53.2). Tailswing 1575 mm												
Height	Undercarriage type		2,5 m	3,0 m	3,5 m	4,0 m	4,5 m	5,0 m	5,5 m	6,0 m	6,5 m	7,0 m
+7,5 m	FRONT	SDB rear, supported			5283	5010						
		SDB front, raised			5283	5010						
	LATERAL	SDB supported			5283	5010						
		SDB raised			5283	4496*						
+6,0 m	FRONT	SDB rear, supported				4698	4433	4226	4071			
		SDB front, raised				4698	4433	4226	4071			
	LATERAL	SDB supported				4698	4400*	3761*	3209*			
		SDB raised				4583*	3851*	3289*	2771*			
+4,5 m	FRONT	SDB rear, supported		6419	5872	5266	4812	4458	4178	3951	3770	
		SDB front, raised		6419	5872	5266	4812	4458	4178	3951	3658*	
	LATERAL	SDB supported		6419	5872	5109*	4308	3713*	3247*	2826*	2425*	
		SDB raised		6419	5402	4458*	3780*	3264	2856*	2441*	2085*	
+3,0 m	FRONT	SDB rear, supported		6920	6861	6331	5540	4964	4525	4176	3891	3646
		SDB front, raised		6920	6861	6331	5540	4964	4525	4176	3891	3626
	LATERAL	SDB supported		6920	5929*	4912*	4185	3632*	3201*	2821*	2429*	2106*
		SDB raised		6415*	5157*	4298*	3669*	3198	2826*	2437*	2089*	1801*
+1,5 m	FRONT	SDB rear, supported	8934	8441	7814	6976	6049	5344	4795	4354	3985	3667
		SDB front, raised	8934	8441	7814	6976	5943*	5129	4501	4010*	3607*	3169*
	LATERAL	SDB supported	8934	7318*	5827*	4833*	4128*	3602*	3176*	2730*	2360*	2059*
		SDB raised	8309*	6289*	5054*	4221*	3626*	3156*	2739*	2348*	2021*	1755*
+0 m	FRONT	SDB rear, supported	11629	9894	8252	7002	6082	5377	4820	4373	4027	3562
		SDB front, raised	11629	9894	8252	7002	5956*	5151	4551*	3992*	3491*	3101*
	LATERAL	SDB supported	9743*	7226*	5733*	4735*	4013*	3463*	2997*	2584*	2253*	1996*
		SDB raised	7891*	5991*	4819*	4014*	3422*	2963*	2565*	2206*	1917*	1694*
-1,5 m	FRONT	SDB rear, supported	13065	10260	8436	7163	6237	5562	4921	4226	3252	
		SDB front, raised	13065	10260	8436	7163	6163*	5167*	4430*	3870*	3252	
	LATERAL	SDB supported	9503*	6989*	5520*	4554*	3859*	3268*	2819*	2473*	2202*	
		SDB raised	7672*	5769*	4618*	3842*	3273*	2774*	2393*	2097*	1867*	
-3,0 m	FRONT	SDB rear, supported	12805	9966	8000	6481	5177	3899				
		SDB front, raised	12805	9966	8000	6481	5177	3899				
	LATERAL	SDB supported	9646*	6997*	5450*	4435*	3723*	3204*				
		SDB raised	7802*	5777*	4551*	3728*	3142*	2712*				

Lifting capacities Adjustable boom (C53.41) and boom 3.10 m (C53.46) with stick 2.65 m (D53.3). Tailswing 1575 mm													
Height	Undercarriage type		2,5 m	3,0 m	3,5 m	4,0 m	4,5 m	5,0 m	5,5 m	6,0 m	6,5 m	7,0 m	7,5 m
+7,5 m	FRONT	SDB rear, supported				4404	4243	3919					
		SDB front, raised				4404	4243	3919					
	LATERAL	SDB supported				4404	4243	3704*					
		SDB raised				4404	3856	3195*					
+6,0 m	FRONT	SDB rear, supported					4044	3878	3743	3638	3197		
		SDB front, raised					4044	3878	3743	3638	3197		
	LATERAL	SDB supported					4044	3804*	3297*	2848*	2431*		
		SDB raised					3905*	3338*	2889*	2462*	2090*		
+4,5 m	FRONT	SDB rear, supported			4592	4804	4443	4152	3915	3719	3555	3420	
		SDB front, raised			4592	4804	4443	4152	3915	3719	3555	3287*	
	LATERAL	SDB supported			4592	4804	4343*	3732*	3257	2877*	2523*	2178*	
		SDB raised			4592	4508*	3808*	3281*	2867*	2531*	2179*	1870*	
+3,0 m	FRONT	SDB rear, supported		6795	6863	5893	5210	4702	4309	3995	3736	3517	3323
		SDB front, raised		6795	6863	5893	5210	4702	4309	3995	3611*	3261	2903*
	LATERAL	SDB supported		6795	5974*	4930*	4187*	3622*	3185*	2838*	2517*	2181*	1898*
		SDB raised		6475*	5183*	4306*	3671*	3188*	2807*	2505*	2173*	1873*	1619*
+1,5 m	FRONT	SDB rear, supported	8644	8256	7772	6788	5874	5194	4669	4250	3906	3610	3343
		SDB front, raised	8644	8256	7772	6788	5874	5097*	4466*	3970*	3573*	3230*	2859*
	LATERAL	SDB supported	8644	7257*	5781*	4791*	4087*	3559*	3147*	2822*	2438*	2118*	1855*
		SDB raised	8235	6240	5021*	4184	3584*	3133	2782*	2437*	2096*	1811*	1578*
+0 m	FRONT	SDB rear, supported	10762	9490	8120	6897	5995	5299	4747	4298	3928	3637	3262
		SDB front, raised	10762	9490	8120	6897	5874*	5075*	4464	3996	3550*	3132*	2796*
	LATERAL	SDB supported	9827	7297*	5794*	4785*	4051*	3492*	3050*	2657*	2306*	2021*	1795*
		SDB raised	8010*	6079*	4883*	4061*	3456*	2989*	2615*	2276*	1967*	1717*	1518*
-1,5 m	FRONT	SDB rear, supported	12781	10052	8262	7009	6087	5384	4855	4411	3894	3129	
		SDB front, raised	12781	10052	8262	7009	6001	5250*	4479*	3888*	3429*	3066*	
	LATERAL	SDB supported	9473*	6974*	5511*	4545*	3856*	3337*	2858*	2485*	2193*	1961*	
		SDB raised	7640*	5753*	4606*	3831*	3268*	2839*	2429*	2108*	1856*	1658*	
-3,0 m	FRONT	SDB rear, supported	13206	10449	8593	7174	6041	5041	4033				
		SDB front, raised	13206	10449	8593	7174	5992*	5041	4033				
	LATERAL	SDB supported	9475*	6945*	5452*	4427*	3704*	3168*	2759*				
		SDB raised	7642*	5725*	4550*	3718*	3122*	2676*	2332*				

The specified max. loading capacities in kilograms (kg) include a stability of 25% or are calculated at 87% of the hydraulic lifting power, as per ISO10567. These values are applicable at the tip of the arm with optimum positioning of the corresponding arm system. Weights of attached load carrying accessories (grab, magnet, load hook, etc.) are not included with the load carrying values. \*Value limited due to excavator stability.

# WORKING RANGES 160Wsr

**Working ranges** Adjustable boom: Base arm (C53.41) and boom 3.60 m (C53.461)



STICK LENGTHS	2,15 m (D53.2)		2,65 m (D53.3)	
	Löffel	Greifer	Löffel	Greifer
Max. bucket digging force	130 kN	-	130 kN	-
Max. stick digging force	82 kN	-	72 kN	-
Grab clamping force	-	73 kN	-	73 kN
Operating Weight	18,9 t	19,2 t	19 t	19,3 t

# LIFTING CAPACITIES 160Wsr

**Lifting capacities** Adjustable boom: Base arm (C53.41) and boom (C53.46) / (C53.461), Wide axles 2.75 m, 5.3 t GG

Lifting capacities Base arm (C53.41) and boom 3.10 m (C53.46) with stick 2.65 m (D53.3). Tailswing 1700 mm														
Height	Undercarriage type		2,5 m	3,0 m	3,5 m	4,0 m	4,5 m	5,0 m	5,5 m	6,0 m	6,5 m	7,0 m	7,5 m	
+7,5 m	FRONT		SDB rear, supported			4404	4243	3919						
			SDB front, raised			4404	4243	3919						
	LATERAL		SDB supported			4404	4243	3919						
			SDB raised			4404	4243	3919						
+6,0 m	FRONT		SDB rear, supported				4044	3878	3743	3638	3197			
			SDB front, raised				4044	3878	3743	3638	3197			
	LATERAL		SDB supported				4044	3878	3743	-3537*	-3073*			
			SDB raised				4044	3878	-3551*	-3104*	-2668*			
+4,5 m	FRONT		SDB rear, supported		4592	4804	4443	4152	3915	3719	3555	3420		
			SDB front, raised		4592	4804	4443	4152	3915	3719	3555	3420		
	LATERAL		SDB supported		4592	4804	4443	4152	3915	-3510*	3134	-2761*		
			SDB raised		4592	4804	4443	-4006*	-3507*	3106	-2757*	-2396*		
+3,0 m	FRONT		SDB rear, supported	6795	6863	5893	5210	4702	4309	3995	3736	3517	3323	
			SDB front, raised	6795	6863	5893	5210	4702	4309	3995	3736	3517	-3259*	
	LATERAL		SDB supported	6795	6863	5893	5101	4407	-3874*	-3448*	-3101*	-2762*	-2430*	
			SDB raised	6795	-6366*	-5268*	-4485*	-3889*	-3429*	-3056*	-2751*	-2399*	-2101*	
+1,5 m	FRONT		SDB rear, supported	8644	8256	7772	6788	5874	5194	4669	4250	3906	3610	3343
			SDB front, raised	8644	8256	7772	6788	5874	5194	4669	4250	3896	-3541*	-3218*
	LATERAL		SDB supported	8644	8256	-7077*	-5841*	-4974*	-4319*	-3815*	-3413*	-3077*	-2701*	-2388*
			SDB raised	8644	7712	-6168*	-5125*	-4381*	3818	-3385*	-3044*	-2674*	-2337*	-2059*
+0 m	FRONT		SDB rear, supported	10762	9490	8120	6897	5995	5299	4747	4298	3928	3637	3262
			SDB front, raised	10762	9490	8120	6897	5995	5299	4747	-4294*	3898	-3523*	-3159*
	LATERAL		SDB supported	10762	8980	-7084*	5845	4976	-4335*	-3857*	-3372*	-2947*	-2602*	-2326*
			SDB raised	10383	7749	-6182*	-5141*	-4400*	-3808*	-3334*	-2916*	-2543*	-2241*	-1999*
-1,5 m	FRONT		SDB rear, supported	12781	10052	8262	7009	6087	5384	4855	4411	3894	3129	
			SDB front, raised	12781	10052	8262	7009	6087	5384	4855	-4373*	-3865*	3129	
	LATERAL		SDB supported	12519*	-9121*	-7128*	-5838*	-4932*	-4258*	-3661*	-3197*	-2831*	-2541*	
			SDB raised	10171*	-7544*	-5988*	-4954*	-4213*	-3654*	-3144*	-2745*	-2431*	-2180*	
-3,0 m	FRONT		SDB rear, supported	13206	10449	8593	7174	6041	5041	4033				
			SDB front, raised	13206	10449	8593	7174	6041	5041	4033				
	LATERAL		SDB supported	12641*	-9091*	-7066*	-5716*	-4776*	-4085*	-3559*				
			SDB raised	10173*	-7515*	-5930*	-4837*	-4063*	-3487*	-3045*				

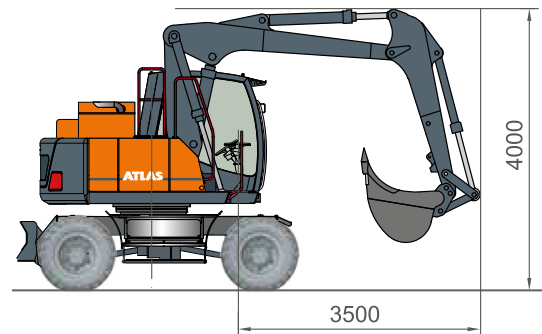
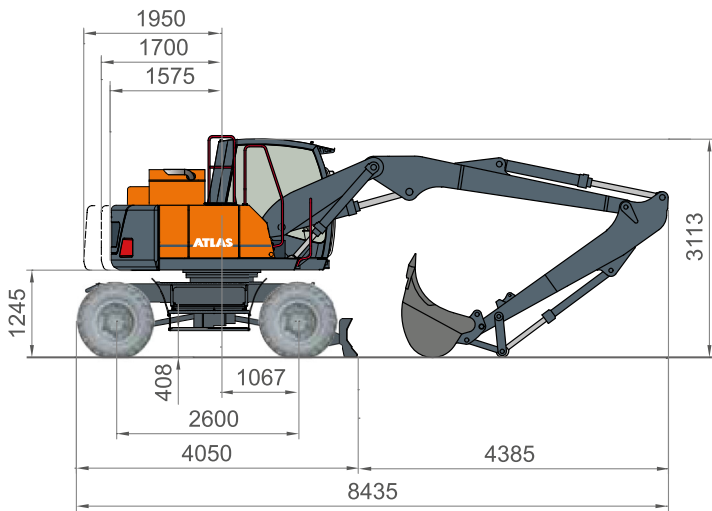
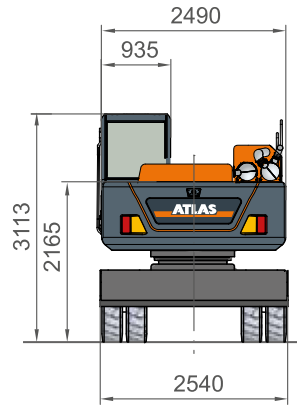
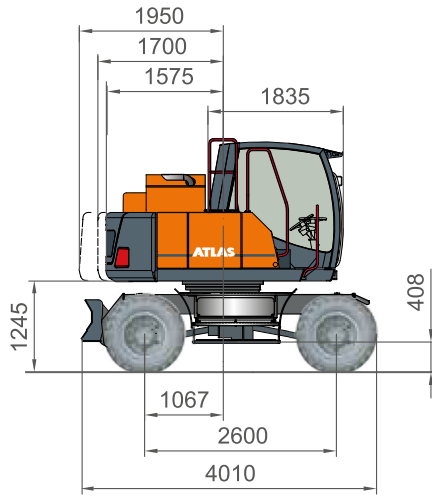
  

Lifting capacities Base arm (C53.41) and boom 3.60 m (C53.461) with stick 2.65 m (D53.3). Tailswing 1700 mm															
Height	Undercarriage type		2,5 m	3,0 m	3,5 m	4,0 m	4,5 m	5,0 m	5,5 m	6,0 m	6,5 m	7,0 m	7,5 m	8,0 m	
+9,0 m	FRONT		SDB rear, supported			5078									
			SDB front, raised			5078									
	LATERAL		SDB supported			5078									
			SDB raised			5078									
+7,5 m	FRONT		SDB rear, supported					3919	3744	3617					
			SDB front, raised					3919	3744	3617					
	LATERAL		SDB supported					3919	3744	3617					
			SDB raised					3919	3744	3488*					
+6,0 m	FRONT		SDB rear, supported					3962	3733	3545	3389	3261	3166		
			SDB front, raised					3962	3733	3545	3389	3261	3166		
	LATERAL		SDB supported					3962	3733	3545	3389	3091*	2712*		
			SDB raised					3962	3733	3501*	3079*	2720*	2344*		
+4,5 m	FRONT		SDB rear, supported	5071	5313	4908	4443	4080	3790	3553	3355	3189	3048		
			SDB front, raised	5071	5313	4908	4443	4080	3790	3553	3355	3189	3048		
	LATERAL		SDB supported	5071	5313	4908	4443	4080	3790	3420*	3053*	2748*	2435*		
			SDB raised	5071	5313	4908	4443	3906*	3414*	3021*	2702*	2423*	2101*		
+3,0 m	FRONT		SDB rear, supported		5686	5820	5172	4606	4173	3831	3553	3320	3120	2940	
			SDB front, raised		5686	5820	5172	4606	4173	3831	3553	3320	3120	2885*	
	LATERAL		SDB supported		5686	5758	4904*	4247*	3734*	3326*	2991*	2714*	2435*	2137*	
			SDB raised		5686	5051	4309*	3745*	3305*	2945*	2652*	2411*	2101*	1833*	
+1,5 m	FRONT		SDB rear, supported	6872	6942	6786	6366	5661	4988	4464	4047	3705	3417	3167	2941
			SDB front, raised	6872	6942	6786	6366	5661	4988	4464	4047	3705	3396	3112	2860*
	LATERAL		SDB supported	6872	6942	6741*	5587*	4755	4139*	3656*	3269*	2960*	2710*	2375*	2094*
			SDB raised	6872	6942	5874*	4899*	4190	3654	3238*	2902*	2637*	2341*	2042*	1791*
+0 m	FRONT		SDB rear, supported	8378	8468	7595	6549	5683	5020	4494	4067	3714	3418	3184	2904
			SDB front, raised	8378	8468	7595	6549	5683	5020	4494	4067	3708	3396*	3120*	2794*
	LATERAL		SDB supported	8378	8468	6788*	5597*	4765*	4143*	3671	3305*	2953*	2582*	2280*	2031*
			SDB raised	8378	7425*	5917*	4911*	4203	3670*	3243*	2875*	2545*	2216*	1949*	1730*
-1,5 m	FRONT		SDB rear, supported	11869	9626	7887	6673	5781	5101	4568	4147	3837	3461	2895	
			SDB front, raised	11869	9626	7887	6673	5781	5101	4568	4147	3820*	3385*	2895	
	LATERAL		SDB supported	11869	8810*	6891*	5652*	4782*	4134*	3631*	3172*	2778*	2457*	2207*	
			SDB raised	9762*	7242*	5754*	4767*	4061*	3528*	3109*	2716*	2374*	2095*	1878*	
-3,0 m	FRONT		SDB rear, supported	12777	10051	8274	7044	6130	5330	4600	3857	2961			
			SDB front, raised	12777	10051	8274	7044	6130	5330	4600	3857	2961			
	LATERAL		SDB supported	12224*	8783*	6846*	5606*	4715*	4003*	3460*	3038*	2705*			
			SDB raised	9779*	7217*	5712*	4724*	3997*	3401*	2944*	2585*	2303*			

The specified max. loading capacities in kilograms (kg) include a stability of 25% or are calculated at 87% of the hydraulic lifting power, as per ISO10567. These values are applicable at the tip of the arm with optimum positioning of the corresponding arm system. Weights of attached load carrying accessories (grab, magnet, load hook, etc.) are not included with the load carrying values. \*Value limited due to excavator stability.

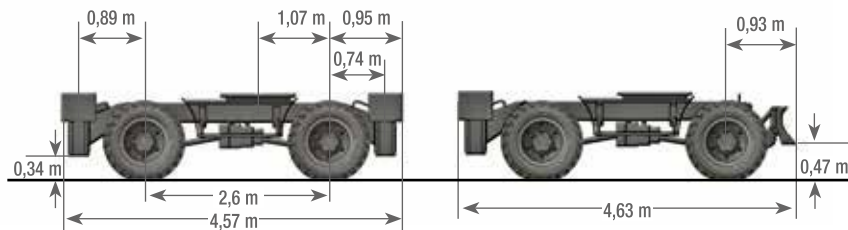
# DIMENSIONS 160Wsr

## Dimensions



A41.2, C53.41, C53.46, D53.2, F53.1, F415

A41.2, C53.41, C53.461, D53.3, F53.1, F412





## GANDERKESEE FACTORY

Atlas GmbH  
Atlasstraße 6  
D-27777 Ganderkesee,  
Germany

Tel.: +49 (0) 4222 954 0  
Fax: +49 (0) 4222 954 220  
E-mail: [info@atlasgmbh.com](mailto:info@atlasgmbh.com)  
[www.atlasgmbh.com](http://www.atlasgmbh.com)



## VECHTA FACTORY

Atlas GmbH  
Theodor-Heuss-Str. 3  
D-49377 Vechta  
Germany

T: +49 (0) 4441 954 0  
F: +49 (0) 4441 954 299  
E-mail: [info@atlasgmbh.com](mailto:info@atlasgmbh.com)  
[www.atlasgmbh.com](http://www.atlasgmbh.com)



## DELMENHORST FACTORY

Atlas GmbH  
Stedinger Straße 324  
D-27751 Delmenhorst  
Germany

T: +49 (0) 4221 49 10  
F: +49 (0) 4221 49 14 43  
E-mail: [info@atlasgmbh.com](mailto:info@atlasgmbh.com)  
[www.atlasgmbh.com](http://www.atlasgmbh.com)

## ATLAS CRANES UK LTD NATIONAL SALES & SERVICE FACILITY

Wharfedale Road,  
Euroway Trading Est.  
Bradford, England BD4 6SL  
United Kingdom

T: +44 8444 99 66 88  
F: +44 1274 65 37 85  
E-mail: [atlasuk@atlasgmbh.com](mailto:atlasuk@atlasgmbh.com)  
[www.atlas-cranes.co.uk](http://www.atlas-cranes.co.uk)  
[www.atlasgmbh.com](http://www.atlasgmbh.com)



**SINCE 1919**  
**ATLAS**



[www.atlasgmbh.com](http://www.atlasgmbh.com)

**ATLAS GmbH**

EXCAVATOR

Atlasstraße 6

D-27777 Ganderkesee, Germany

T: +49 (0) 4222 954 0

Fax: +49 (0) 4222 954 220

[info@atlasgmbh.com](mailto:info@atlasgmbh.com)